

**SPECIFICATION**

**A: MATERIAL:**

- 1.BODY: PBT
- 2.TERMINAL: Cu PLATED Sn
- 3.PIN: Cu PLATED Ni

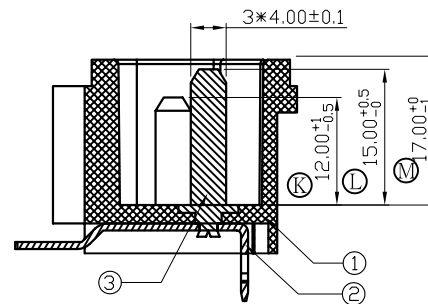
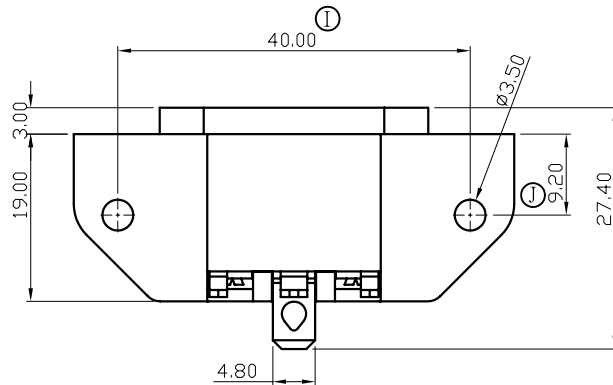
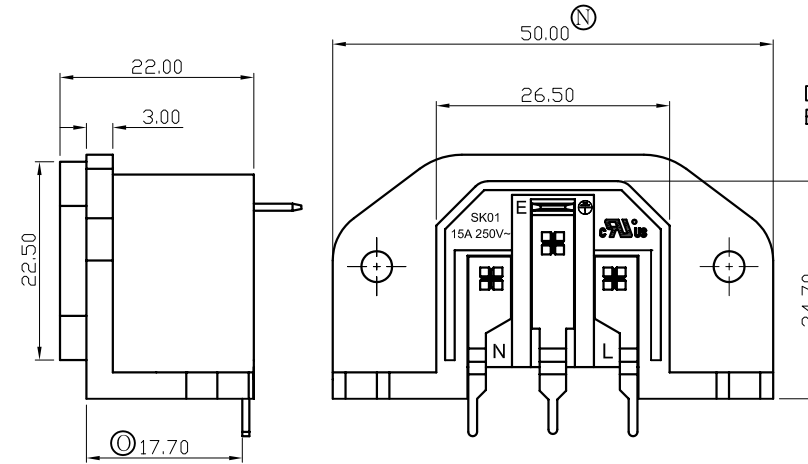
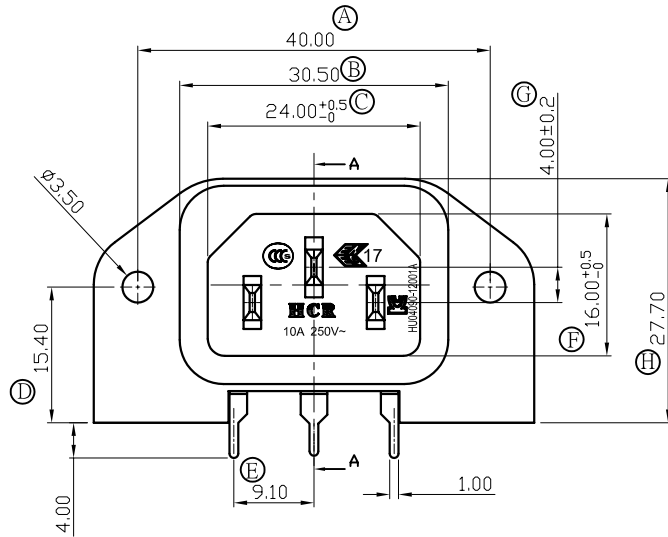
**B: CHARACTERISTICS:**

- 1.RATING: 15A 250V~(C-ULus)  
10A 250V~(ENEC & CCC & KC)
- 2.INSULATION RESISTANCE:100MΩ MIN,AT 500VDC
- 3.ELECTRIC STRENGTH : 3000 VAC/1MIN,LEAKAGE CURRENT UNDER 0.5mA

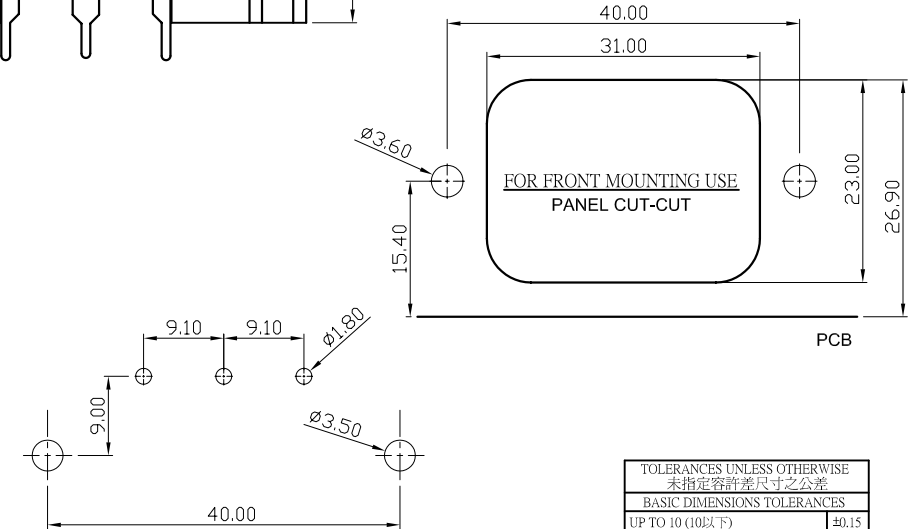
C: APPROVALS:C-ULus, ENEC KC & CCC

D: MATERIAL USED MUST BE COMPLY WITH HQI-0010

E: CAN MEET ROHS,ROHS2.0



SECTION A-A



TOLERANCES UNLESS OTHERWISE 未指定容許尺寸之公差	
BASIC DIMENSIONS TOLERANCES	
UP TO 10 (10以下)	±0.15
ABOVE 10 TO 30(10-30)	±0.3
ABOVE 30 TO 100(30-100)	±0.5
ANGULAR DIMENSIONS(角度)	±5°
DIMENSION UNIT	mm

東莞市華之力電子有限公司 DONGGUAN HCR ELECTRONICS CO., LTD.

2					核准 APPROVED BY	AaronJin	日期 DATE	20130108	投影法 PROJECT		機型 PART NAME	INLET SOCKET
1					校對 CHECKED BY	RZTang	日期 DATE	20130108	比例 SCALE	1:1	型號 PART NO	SK01
0	2013/01/08	1.新制訂	A0	KANG	繪圖 DRAWN BY	KANG	日期 DATE	20130108	路徑 DWG NO	E:\成品圖 SK01\800199	料號 ITEM NO	SK01-7801151022
NO	DATE	REVISION DESCRIPTION	REVISION	DRAWN	APPROVED							